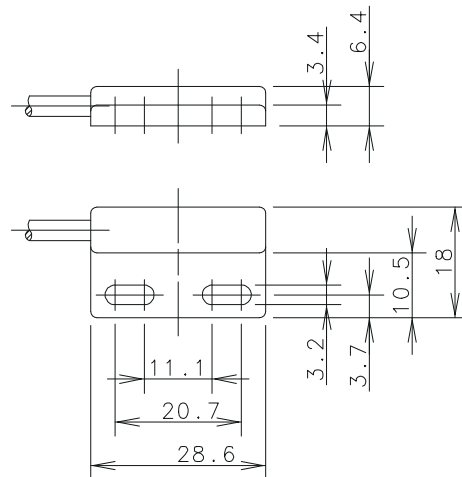


## Magnetic switch Series MA-11

Description **MAK-1112-B-1**

Article number **6311211541**

### Wiring diagramm



### Identifying characteristics in accordance with EN 60947-5-1 and EN 62246-1

Electrical data		
Assured operating distance	S <sub>a</sub>	10 mm
Switching element function		Make function
Max. switching voltage		250 V
Max. switching current		0,5 A
Max. switching capacity		10 VA
Mechanical lifetime		3 x 10 <sup>8</sup> switchings
Repeat accuracy	R	± 0,1 mm under same geometrical conditions at the same temperature
Max. Release point		22 mm
Shock		50 g (11 ms / ½ Sinewave)
Vibration		20 g (10 - 2000 Hz)
Corresponding magnet		TK-11-11

Mechanical data	
Enclosure	PA 6.6; encapsulated reed contact
Ambient air temperature	-5 °C ... +70 °C
Type of protection	IP67 acc. ICE 529, EN 60529
Termination type	cable 2 x 0,14 mm <sup>2</sup> x 1 m; PVC -outer jacket, black
Assembly position	optional (assembly on iron means reduction of switch distance)

EU Conformity
acc. to directive 2014/35/EU (Low-Voltage-Directive)